

zub machine control AG

zub AG is an internationally active specialist for state-of-the-art drive and control concepts. We develop multi-axis controllers for servo and asynchronous motors and realize innovative products for positioning and synchronization of drives for stand-alone devices as well as for CAN and EtherCAT networked systems. As your engineering partner, we develop exclusive OEM controllers and accompany you through all the phases of complex system realization, from planning, development, to production and beyond.



... because actors, dancers and musicians can't wear safety helmets.

zub Safety Drive Concept: SIL-3 e.g. for theater applications

Safety requirements for theater applications are very strict, and it is often the case that all drives must meet the SIL-3 standard. With this in mind, zub has developed and had certified a Safety Drive concept along with the accompanying software.

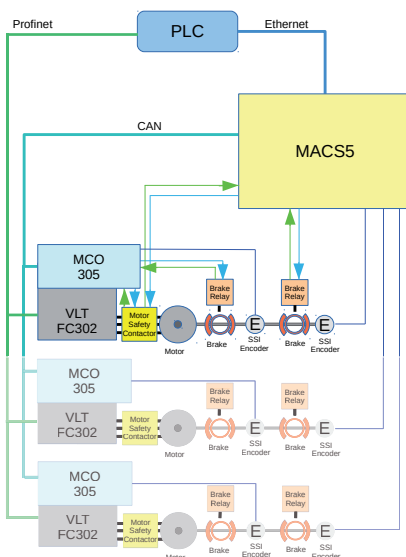
Stage and lighting controllers require each individual axis to be monitored and for it to be possible to deactivate each axis immediately at any time. That also applies to entire large groups of axes. This involves both monitoring speeds alone as well as monitoring them according to positions and on CAM and rail curves.

The safety applications are configured via a safe PLC. The safety level is attained through double monitoring and the use of different systems. On one side Danfoss frequency converters with MCO, and on the other side a MACS5 that monitors up to three FCs. If a function fails or malfunctions, the MACS5 can immediately apply the brakes and open the safety contactor.

zub-Safety includes all the necessary components for the programming and configuration of safe field buses, and incorporates safe components from the Motion Control Library. The Safety Drive application supports the following modes in accordance with EN ISO 13849-1, EN/IEC 60204-1 and EN/IEC 61800-5-2.

Areas of use can also include all other applications that have strict safety requirements. Whether in machines with user intervention, in factory automation with safety requirements, in conveyor vehicles / shelving automation or for crane and lifting applications.

The zub Safety Drive concept is an economical OEM solution. For applications involving more than 100 controllers, its cost is significantly lower than that of the usual safety components.



Configuration with Danfoss FC, MCO and MACS5

sps ipc drives
Hall 1 – booth 140