

CIO-OEM-12-4

OEM I/O Module with Multiple Interfaces

New technology can “mix and match” interfaces.

The CIO-OEM-12-4 is a compact size converter and I/O module for OEM applications. It is designed for extending existing systems with components and peripherals. New technology devices can “Mix and Match” without any adaptation or modifications in existing bus protocols or PLC software.

Multiple Interface

As both converter and I/O extension module the CIO-OEM-12-4 allows almost all combinations of the interfaces and I/O's. All function changes to be realized are based on software.

Universal use

With the digital I/O's it is possible to control and read digital inputs and outputs. It can range from industrial digital measuring systems to servo and control systems.

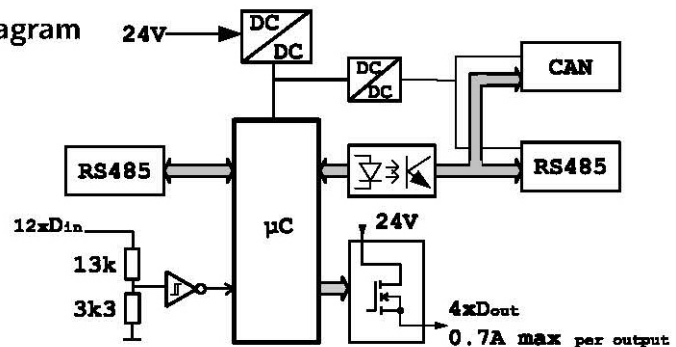
The bus configuration (e.g. bus ID or baudrate) is done by DIP switches according to actual system settings.

Industry proved design

- ◆ Compact housing:
Phoenix Mecano Bopla Alurail
105 x 87 x 35 mm
- ◆ Quick & easy mounting:
Snap-on for DIN rails
- ◆ Industry type connectors:
Tension spring clamps
- ◆ Environmental conditions
-20 ... +40 °C operation
-20 ... +85 °C storage



Block diagram



Digital Input

Threshold voltage	min	max
rising edge	9.9 V	17.3 V
falling edge	4.9 V	10.9 V
Input impedance	16.3 kΩ	
Filter time constant	2.6 µs	
Max. input voltage (survival)	57 V	
Electrical isolation	no	

Digital Output

Supply voltage	24 V
Max. output voltage	38 V
Output current	0.7 A
Output impedance	0.2 Ω
Turn-on delay	100 µs
rise time	50 µs
fall time	20 µs
Short circuit proof	yes
Over temperature protected	yes